

12. Accessories and spare parts

12.1 Accessories for ProSpray 22

(accessories illustration, see Page 96)

Item	Order No.	Description
1	0149 040	Spray gun G 08 (aluminium model)
	0335 002	Spray gun G 12 (aluminium model)
	0257 001	Spray gun AG-09 S (stainless steel model)
2	0096 004	Pole gun 30 cm
	0096 019	Pole gun 100 cm
	0096 005	Pole gun 150 cm
	0096 006	Pole gun 270 cm
3	0345 010	In-line roller IR-100

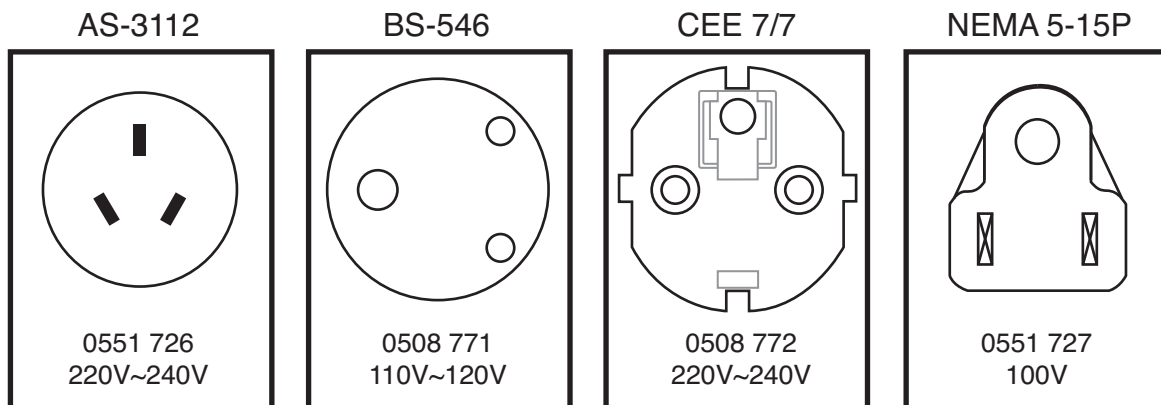
Item	Order No.	Description
4	9984 573	High-pressure hose DN 4 mm, 7.5 m with stainless steel nipple
	9984 574	High-pressure hose DN 6 mm, 15 m for dispersion
	9984 575	High-pressure hose DN 6 mm, 30 m for dispersion
5	0034 038	Double socket for coupling high-pressure hoses
6	0034 950	Metex-Reuse Reuse for pre-filtering of coating material in vessel. Place suction pipe in the reuse.
	0034 952	Sieve package (5 pcs) for paint
	0034 951	Sieve package (5 pcs) for dispersion

12.2 Spare parts list for main assembly

(spare parts diagram, see Page 97)

Item	Order No.	Description
1	0551 810	Motor cover
2	0551 440	Screw (4)
3	9800 308	Cylinder head screw (4)
4	-----	Power cord, (see below)
5	9800 340	Ground screw
6	0551 659	Screw (4)
7	0551 720	Pressure control knob
8	0551 721	Digital Electronic Spray Control (ESC) System

Item	Order No.	Description
9	0551 722	Digital ESC system cover
10	0551 723	Screw (2)
11	0508 555	Hexagonal bolt (4)
12	0551 645	Control panel
13	0551 811	Fluid section
14	0508 553	Cylinder head screw (2)



12.3 Spare parts list for fluid section

(spare parts diagram, see Page 98)

Item	Order No.	Description
1	0508 664	Retainer nut
2	0508 665*	Piston guide
3	0551 654*	Upper packing
4	0551 656	Pump manifold
5	3505 045	Double socket
6	0508 212	Relief valve
7	0551 655*	Lower packing
8	0551 537	Piston
9	0295 307*	Upper ball guide
10	0508 672*	Outlet valve ball
11	0551 620	Outlet valve seat
12	13481	Outlet valve housing
13	0509 590	Bushing
14	0508 739*	Lower seal
15	0508 677	Lower ball guide
16	0508 678*	Inlet valve ball
17	0508 679	Inlet valve seat
18	3500 203*	O-ring
19	0508 680	Inlet valve housing
20	0508 615	Plug
21	0508 740	Seal
22	0551 658	Piston assembly (Item 35 – 41)
	0551 642*	Service set packings with machine grease and installation tool
	0551 509	Lower seal insertion tool
	0508 619	118 ml EasyGlide (prevents increased wear and tear to the packings)
	0508 620	118 ml EasyClean (for the fluid section interior)
	9984 507	High-pressure hose DN 6 mm, 15 m

12.4 Spare parts list for drive assembly

(spare parts diagram, see Page 99)

Item	Order No.	Description
1	0551 616	Ventilator
2	9850 936	ON/OFF switch
3	0508 571	Screw (4)
4	0551 518	Front cover
5	0507 777	Connecting pin
6	0551 649	Pressure sensor
7	0551 650	Pressure sendor o-ring
8	0508 558	Electronic cover
9	0551 646	Electronic control assembly (230 V AC)
	0551 730	Electronic control assembly (100–120V AC)

Item	Order No.	Description
10	0551 648	Motor (230 V AC, 50/60 Hz)
	0551 729	Motor (100–120 V AC, 50/60 Hz)
11	0508 572	Crankshaft
12	0508 573	Thrust ring
13	0507 938	Gearwheel, stage 2
14	-----	Gear unit housing
15	0551 541	Connecting rod
16	0507 768	Retaining ring

12.5 Spare parts list of frame

(spare parts diagram, see Page 100)

Item	Order No.	Description
1	0508 377	Cord wrap
2	0551 525	Plug (4)
3	0551 816	Right leg (includes items 1–3 and 4)
4	0551 483	Clip
5	0508 660	Screw (2)

Item	Order No.	Description
6	0509 856	Nut
7	0507 397	Drip cup
8	0551 818	Left leg (includes items 2 and 6–10)
9	0551 732	Screw
10	0507 955	Screw (2)

12.6 Spare parts list for suction system

(spare parts diagram, see Page 100)

Item	Order No.	Description
1	0508 608	Suction hose
2	0508 605	Return hose
3	0508 738	Filter
4	9871 105	O-ring (2)
5	0507 937	Clamp
6	9822 526	Retaining clip
	0551 106	Suction hose assembly (includes items 1–6)

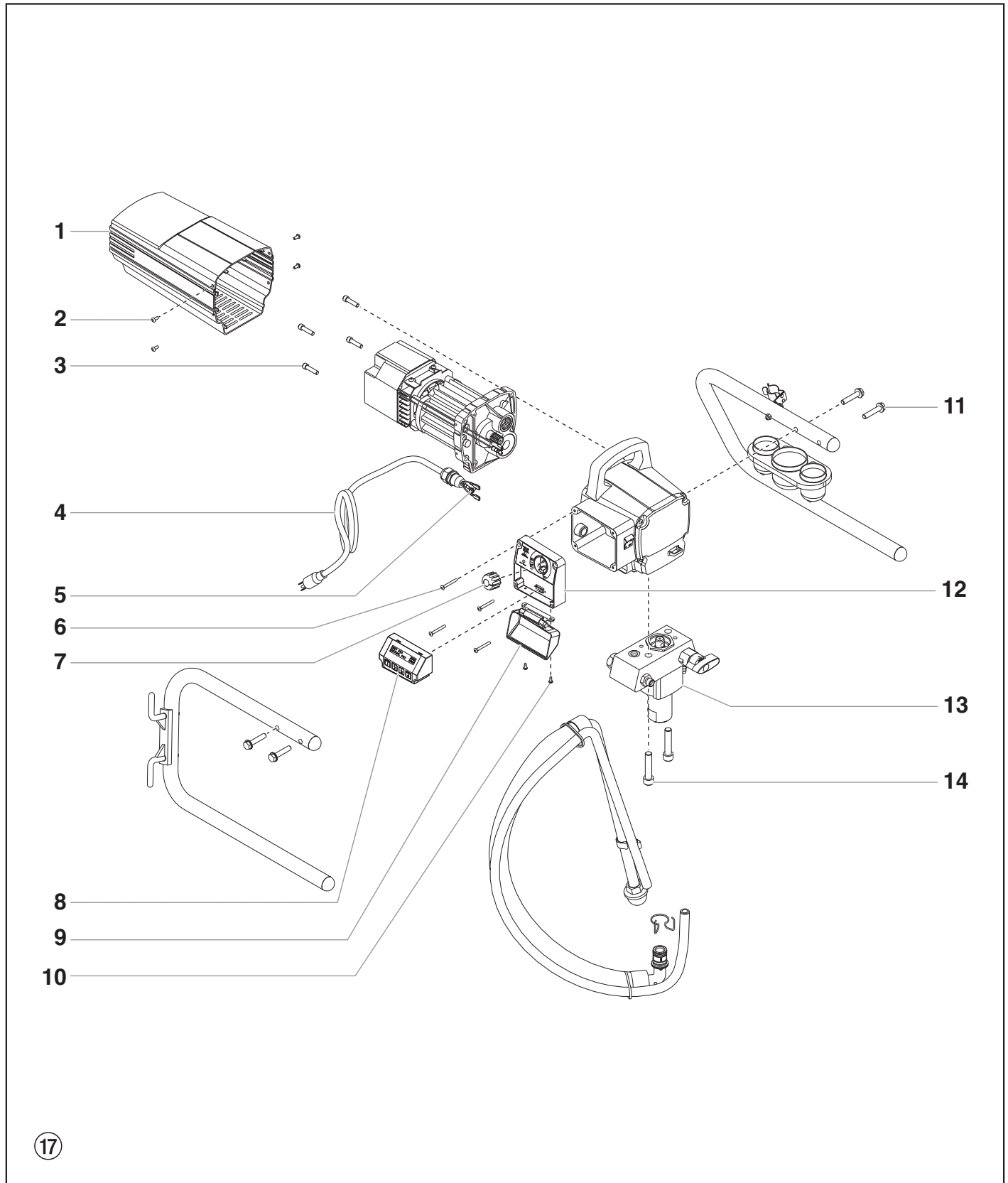
ProSpray 22

Ⓓ Hauptbaugruppe

ⒼⒾ Main Assembly

Ⓕ Ensemble principal

Ⓘ Gruppo principale



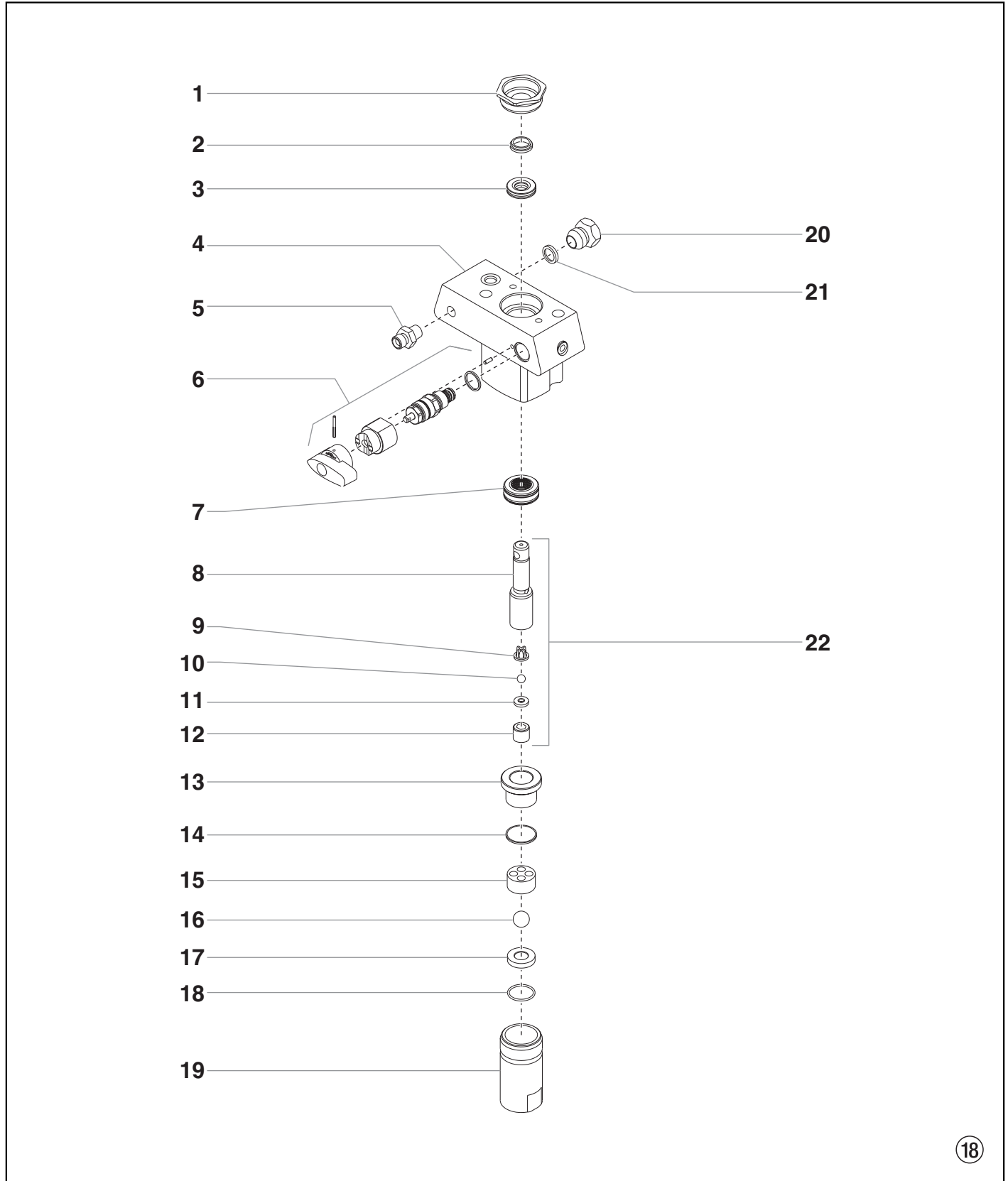
ProSpray 22

Ⓓ Farbstufe

ⒼⒸ Fluid section

Ⓕ Pompe peinture

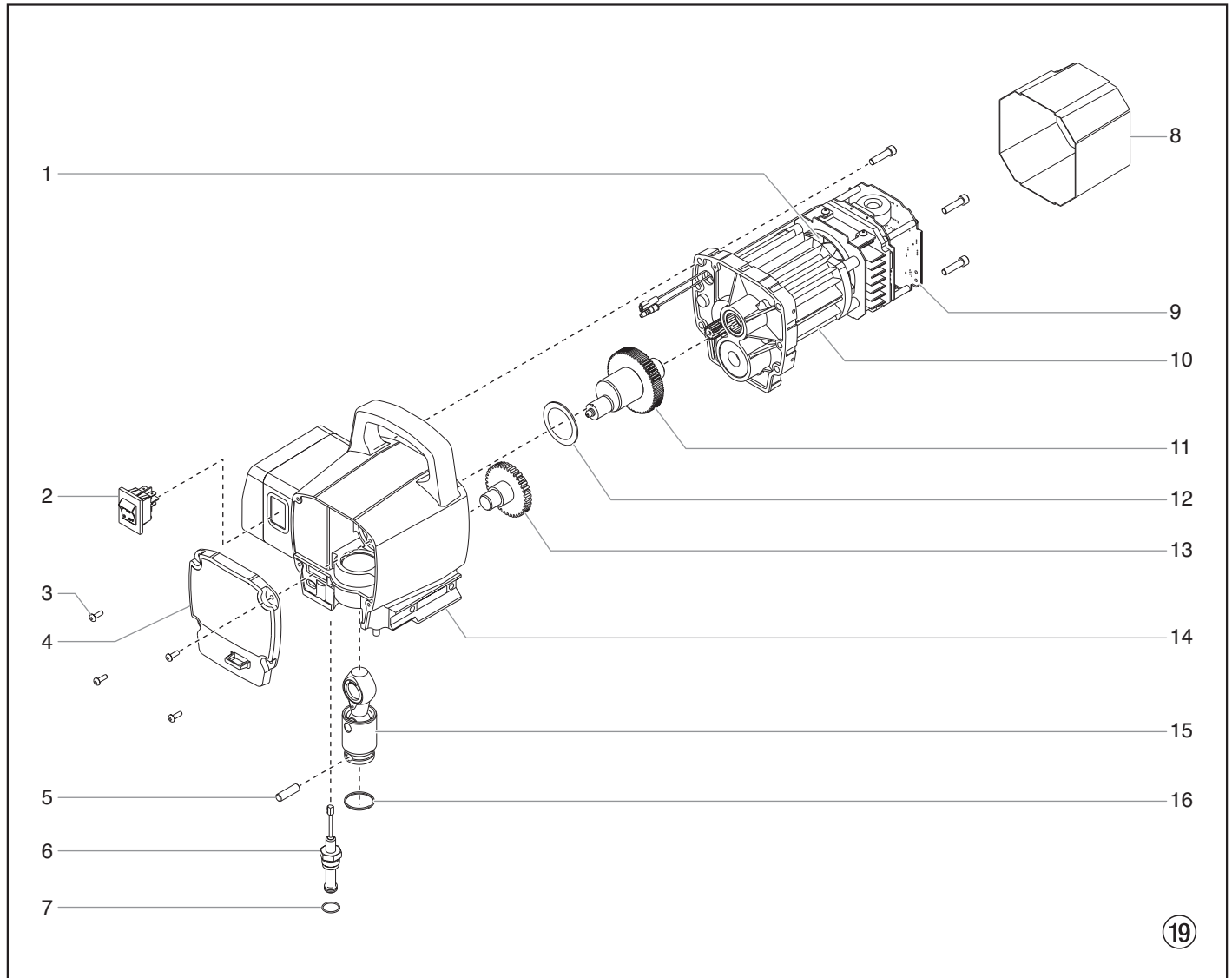
Ⓘ Stadio della vernice



ProSpray 22

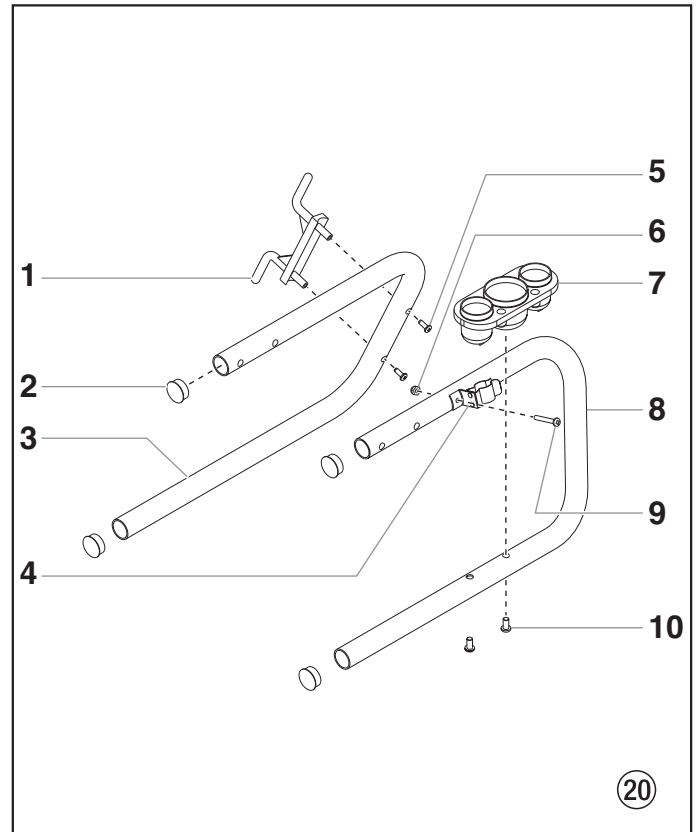
Ⓓ Baugruppe Antrieb ⒼⒹ Drive Assembly

Ⓕ Ensemble moteur Ⓘ Gruppo azionamento



ProSpray 22

- Ⓓ **Gestell**
- ⒼⒸ **Frame**
- Ⓕ **Support**
- Ⓘ **Telaio**



ProSpray 22

- Ⓓ **Ansaugsystem**
- ⒼⒸ **Suction system**
- Ⓕ **Syst me d aspiration**
- Ⓘ **Sistema di aspirazione**

